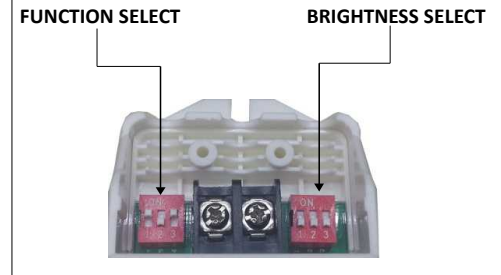




# SDL 0-10V/1-10V Driver (SDL/S1L10)

The SDL-S1L10 driver is a flexible driver that can support active or passive 0-10V or 1-10V inputs. The driver can be used to power 12 or 24Vdc LED's. Short circuit and over current protection are included. LED dimmer drivers can be installed to meet the light needs of commercial or home lighting to reduce energy costs and to extend LED life span.



## SPECIFICATION

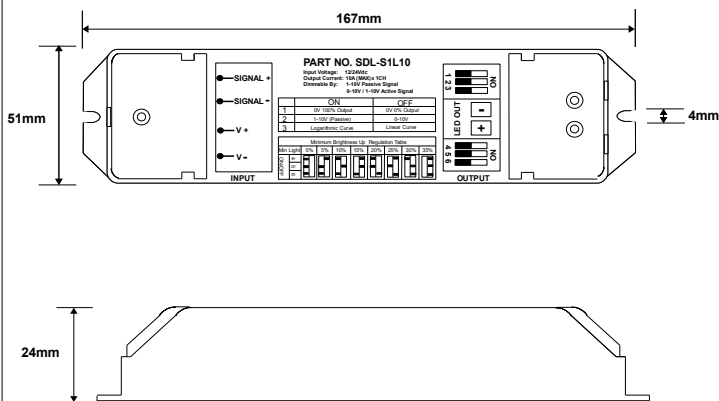
<b>Part No.</b>	SDL/S1L10
<b>Supply Voltage</b>	12/24Vdc
<b>Output</b>	1 Channel
<b>Output Current (per channel)</b>	10 Amp
<b>Size (LxWxH)</b>	167mm x 51mm x 24mm
<b>Dimming Signal Type</b>	0-10V Active / 1-10V Active 1-10V Passive
<b>Drive Capability</b>	3528/60 24 Max*
<i>With suitable power supply</i>	5050/60 8m Max*

\* Additional lengths can be driven using the SDL-RP306

## SWITCH FUNCTION SELECTION TABLE

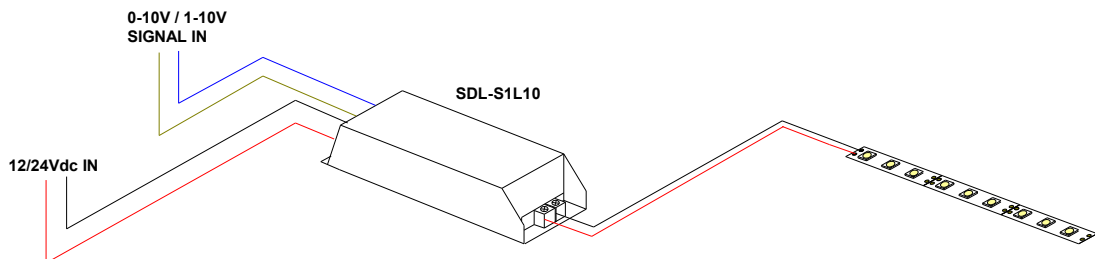
1		2		3		1-10V		0-10V		0V		FLOATING		DIMMER CURVE	
ON	OFF	ON	OFF	ON	OFF	ACTIVE	PASSIVE	ACTIVE	OUTPUT	OUTPUT	OUTPUT	LINEAR	LOGARITHMIC		
	●		●		●			●				●	●		
●			●		●			●	●	●	●	●	●		
	●	●			●	●	●			●	●	●	●		
	●		●	●				●						●	
●			●	●				●	●	●	●	●	●		
	●	●		●		●	●			●	●	●	●		
●			●	●		●	●			●	●	●	●		

## DIMENSIONS



## SWITCH BRIGHTNESS SELECTION TABLE

1		2		3		MINIMUM BRIGHTNESS VALUE
ON	OFF	ON	OFF	ON	OFF	
	●		●		●	0%
●			●		●	5%
	●	●			●	10%
●			●		●	15%
	●	●	●	●		20%
●			●	●		25%
	●	●		●		30%
●			●	●		35%



Multiple runs of up to 5000mm can be added.

DO NOT EXCEED DRIVER LIMIT

SDL-RP306 Data Repeater can be used to drive further lengths and keep the LEDs in sync. Please see the SDL-RP306 technical data sheet.